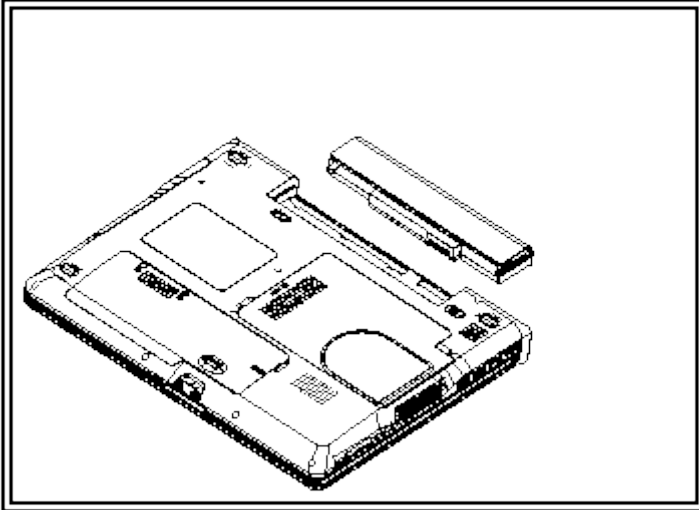


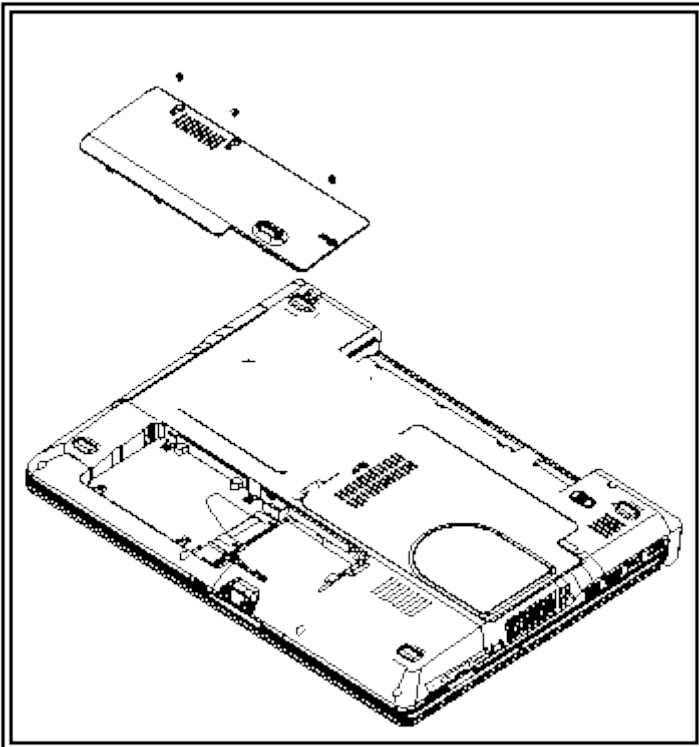
Preliminary Disassembly

Below is the preliminary disassembly procedure.



Legend 4-1:

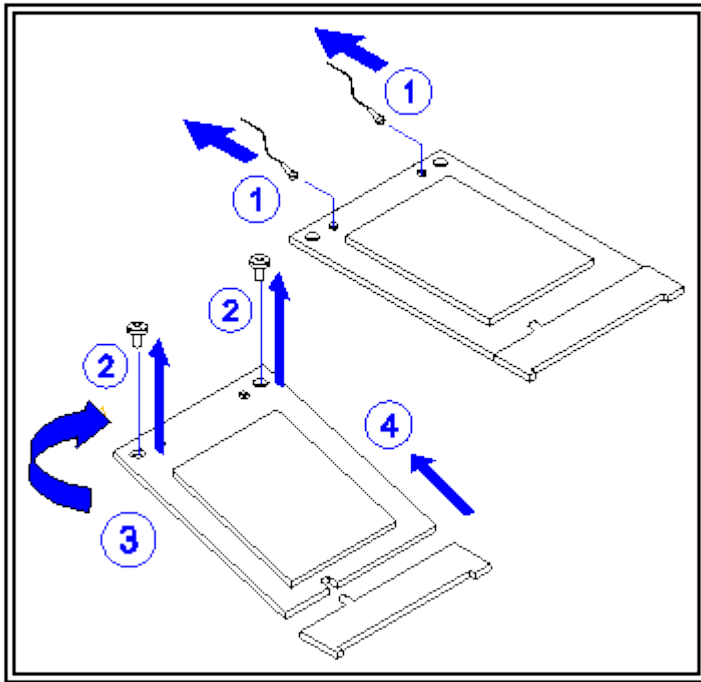
- Make sure the system is properly shutdown.
- Flip the system upside down as shown.
- Push the battery latch to the unlock position as shown by **#1**.
- Push the battery latch to the unlock position as shown by **#2**.
- Maintain the two battery latches in unlock positions.
- Remove the battery pack as shown by **#3**.



Legend 4-2:

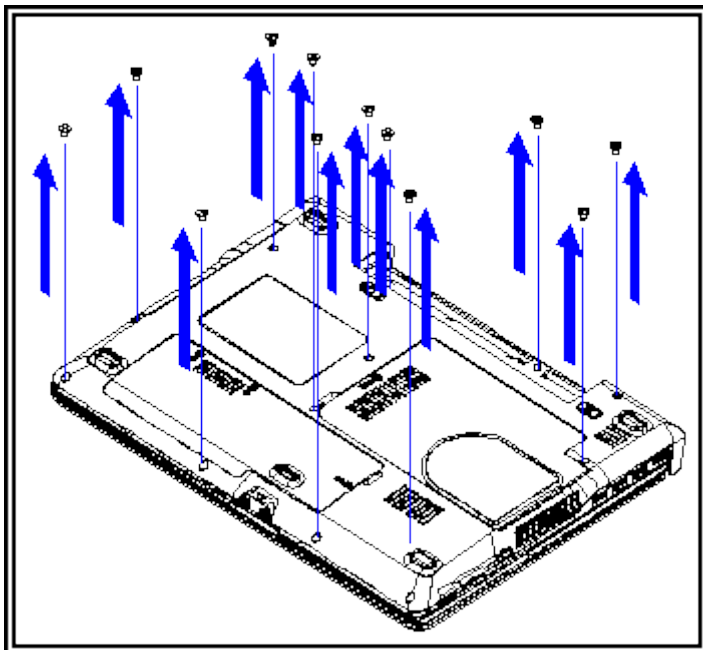
- Remove the three screws as shown by **#1**.
- Remove the compartment door as shown by **#2**.

Preliminary Disassembly



Legend 4-3:

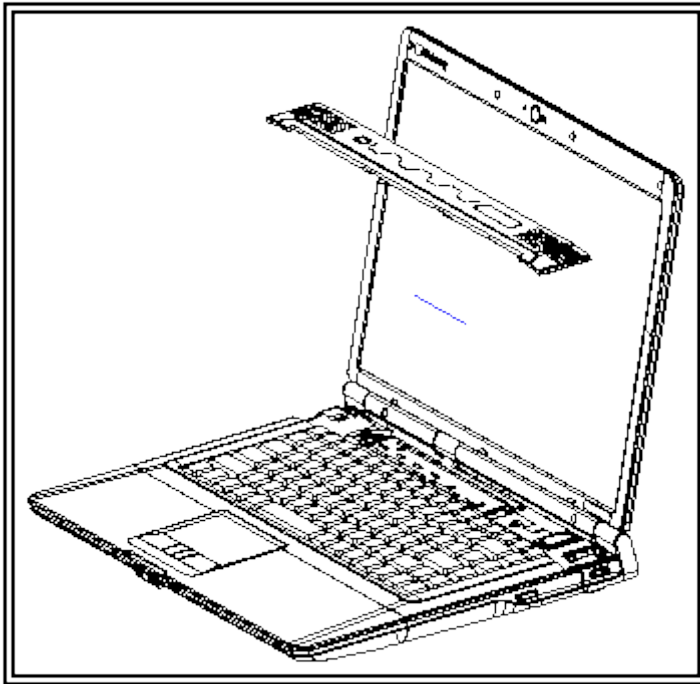
- Disconnect the two cables as shown by #1.
- Remove the two screws as shown by #2.
- The Mini-PCI Express module would pop up as shown by #3.
- Remove the Mini-PCI Express module as shown by #4. Note, there are different types of mini-PCI Express module. Externally, they look slightly different; especially on the locations of the cable connections.
- **Note:** Depend on the different types of mini-PCI Express module, some modules are with two cables, while some modules are with three cables.



Legend 4-4:

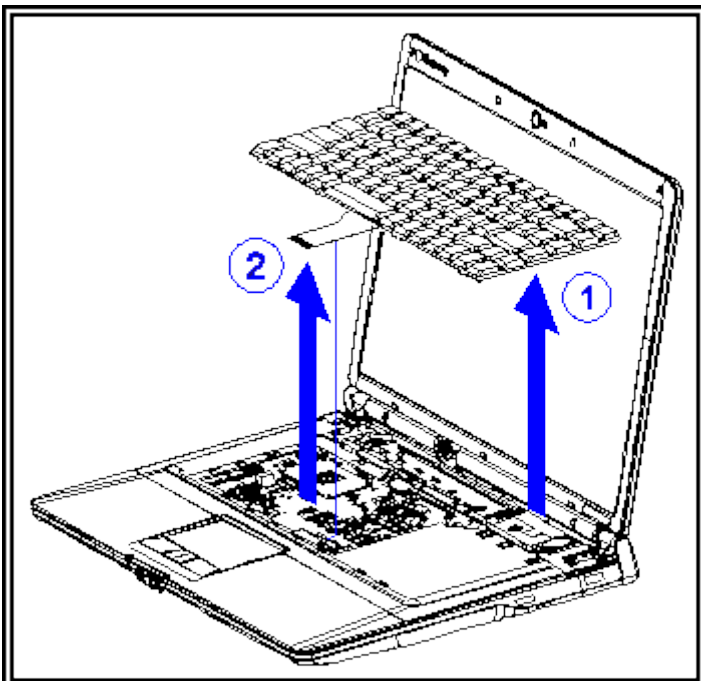
- Remove the twelve screws as shown.

Preliminary Disassembly



Legend 4-5:

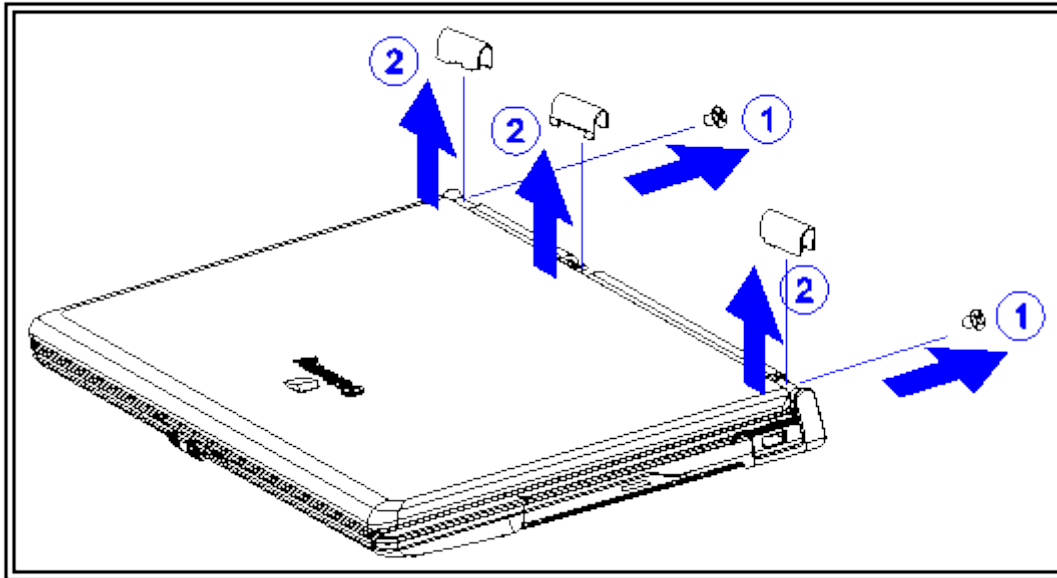
- Flip the system topside up as shown.
- Disconnect the indicator cable as shown **#1**.
- Remove the indicator board as shown by **#2**.



Legend 4-6:

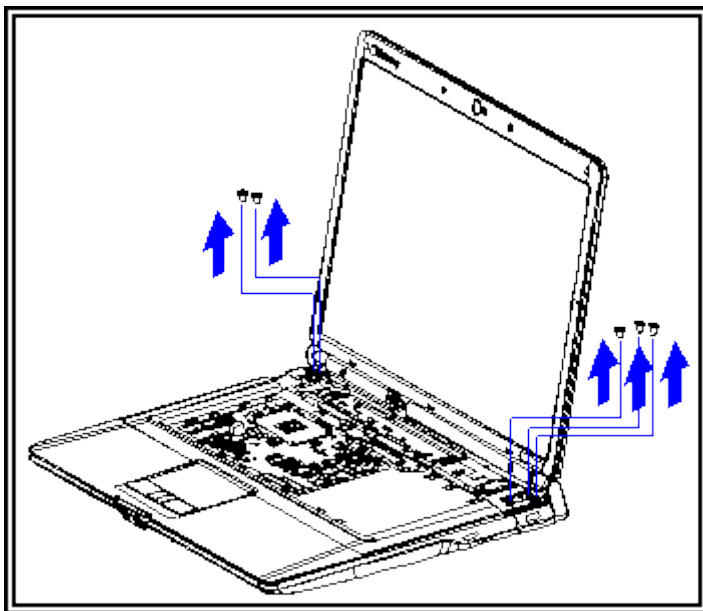
- Lift up the keyboard as shown by **#1**.
- Disconnect the keyboard cable as shown by **#2**.

Preliminary Disassembly



Legend 4-7:

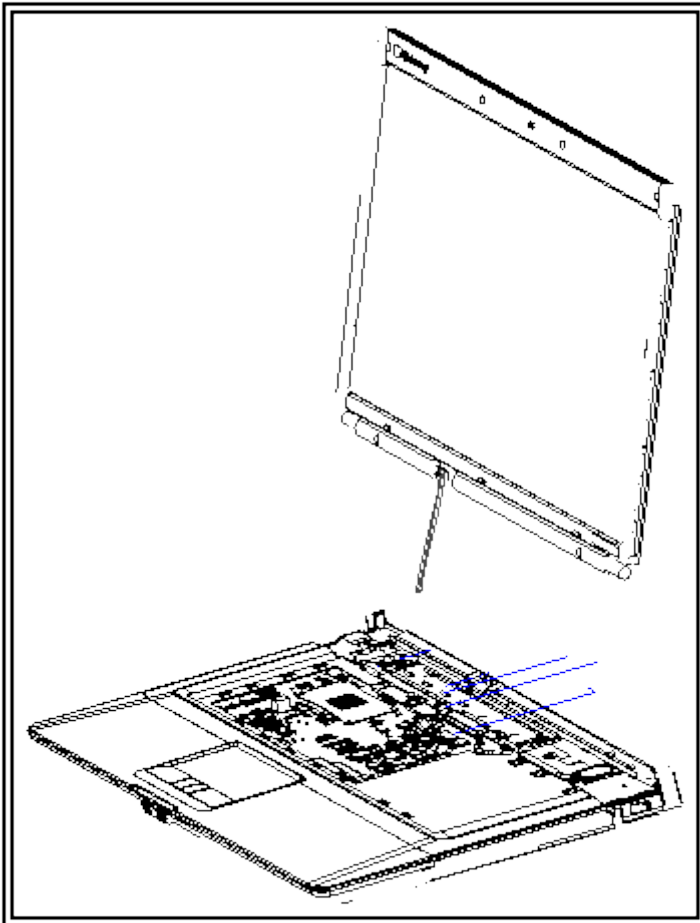
- Flip the upper part close as shown.
- Remove the two screws as shown by #1.
- Remove the three hinge covers as shown by #2.



Legend 4-8:

- Flip the upper part open as shown.
- Remove the five screws as shown.

Preliminary Disassembly



Legend 4-9:

- Disconnect the LCD cable as shown by **#1**.
- Pull out the three wireless LAN cables as shown by **#2**.
- Disconnect the web cam cable as shown by **#3**.
- Remove the upper part as shown by **#4**.

To restore the system back to its assembled situation:

- Reverse the steps in **Legend 4-1** to **Legend 4-9**.