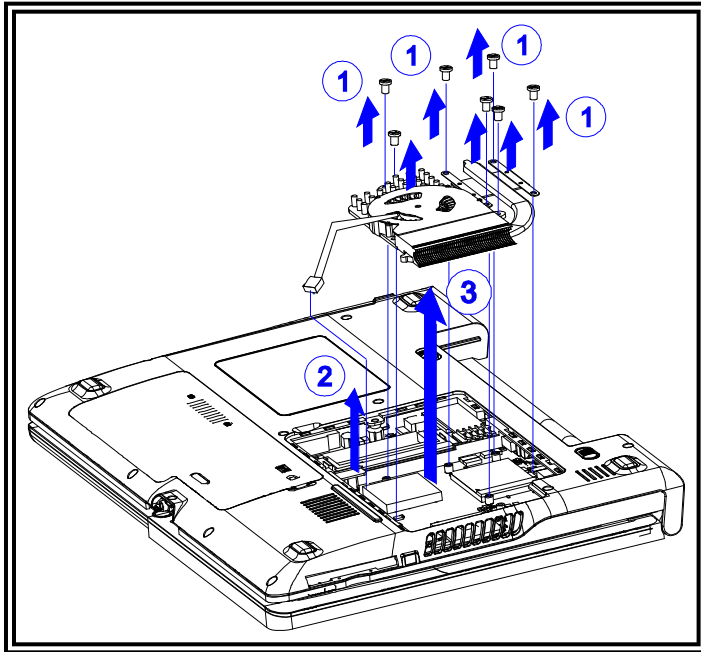


Removing The Fan and Heatssink



Legend 9-1:

- Flip the system upside down as shown.
- Remove the seven screws as shown by #1.
- Disconnect the fan cable as shown by #2.
- Remove the heatsink as shown by #3.

Attention On Re-Assembling The Heatsink:

The heatsink is locked onto the motherboard by means on seven screws. Each of these screw-holes has a number for indicating the sequence these screws should be locked. Use electrical screwdriver to lock these screws. Refer to the table for their torque values.

Screw#1	2.3 ±0.2 kg/cm
Screw#2	2.3 ±0.2 kg/cm
Screw#3	2.3 ±0.2 kg/cm
Screw#4	2.5 ±0.25 kg/cm
Screw#5	2.5 ±0.25 kg/cm
Screw#6	2.5 ±0.25 kg/cm
Screw#7	2.5 ±0.25 kg/cm

To restore the system back to its assembled situation:

- Reverse the steps in Legend 9-1.
- Reverse the steps in Legend 5-1.
- Reverse the steps in Legend 4-1.