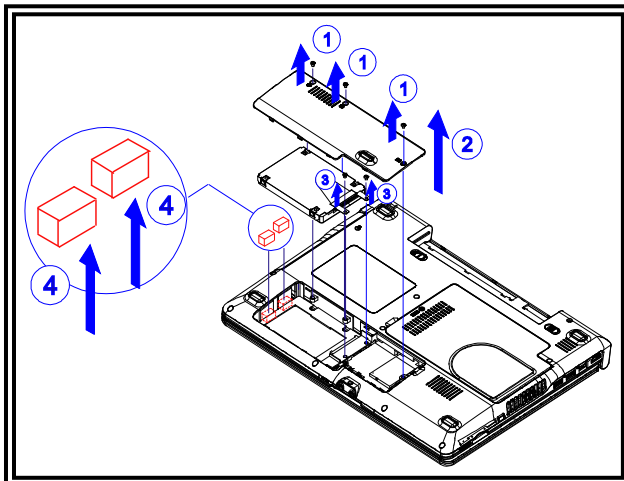
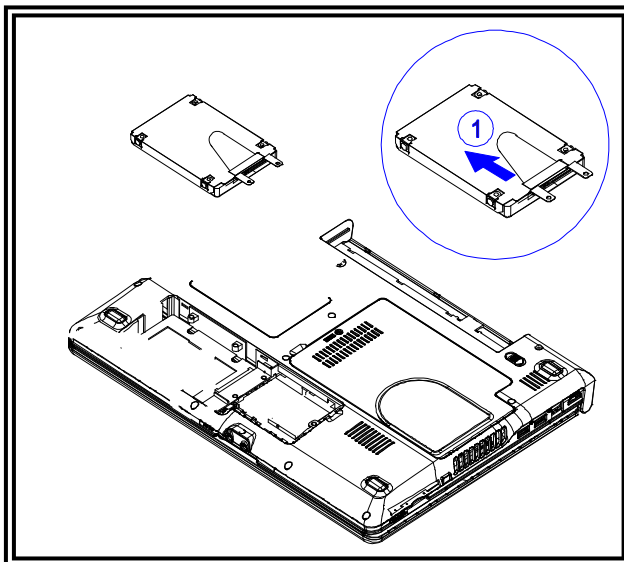


Removing The HDD Drive



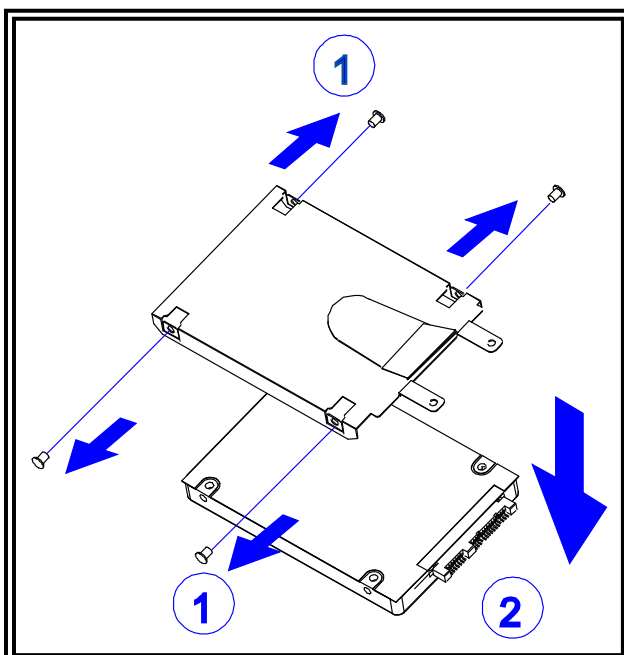
Legend 7-1:

- Remove the three screws as shown by #1.
- Remove the compartment door as shown by #2.
- Remove the two screws as shown by #3.
- Remove the lead tip of a wooden pencil and then use this pencil to scoop up the two rubbers as shown by #4.



Legend 7-2:

- Pull the belt in a lateral direction to unlock the HDD module as shown by #1.
- Tilt up the HDD module as shown by #2.
- Remove the HDD module as shown by #3.



Legend 7-3:

- Remove the four screws as shown by #1.
- Remove the HDD drive as shown by #2.

To restore the system back to its assembled situation:

- Reverse the steps in Legend 7-1 to Legend 7-3.
- Reverse the steps in Legend 4-1.