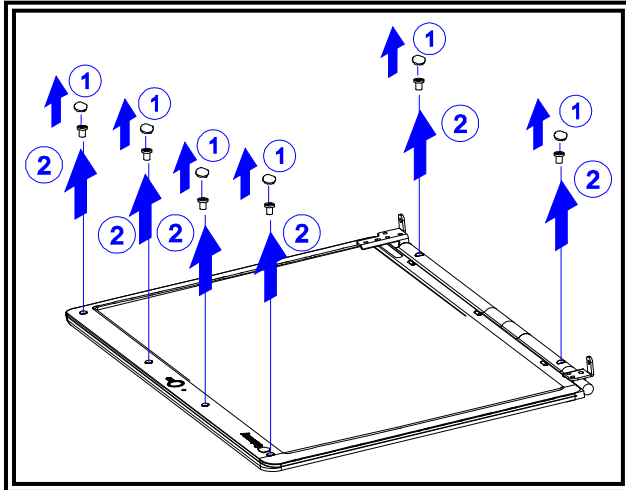


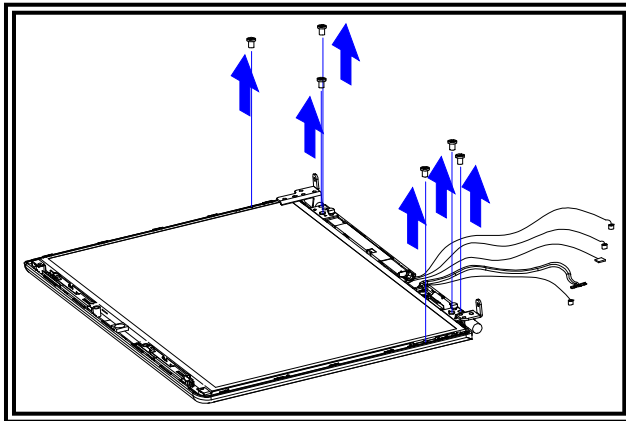
Removing The LCD Display



Follow the steps in Legend 4-1 to Legend 4-9 before proceeding as below. Reverse the procedure to assemble the LCD display.

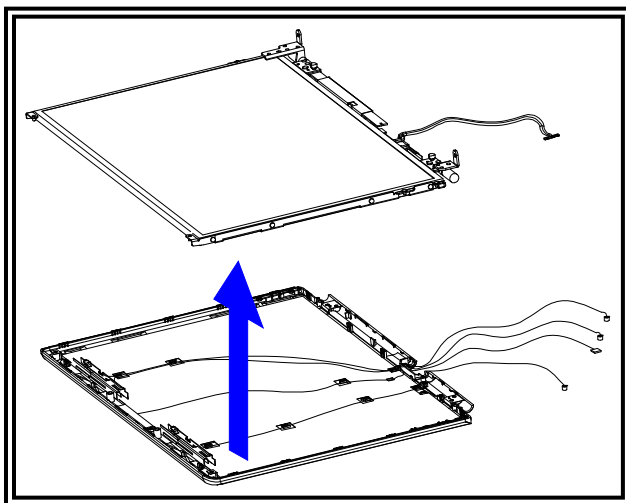
Legend 15-1:

- Remove the six rubber pads as shown by #1.
- Remove the six screws as shown by #2.



Legend 15-2:

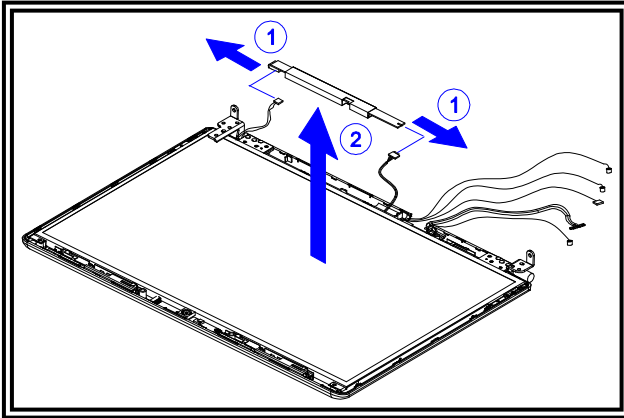
- Remove the six screws as shown.



Legend 15-3:

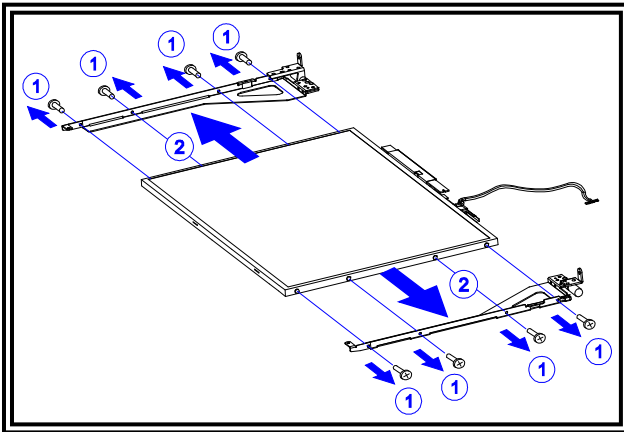
- Remove the LCD display as shown.

Removing The LCD Display



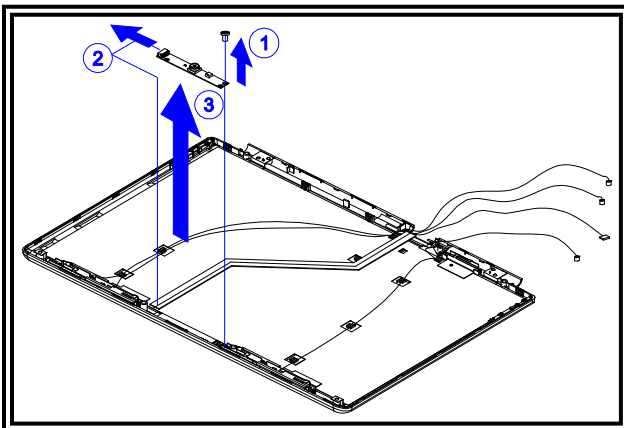
Legend 15-4:

- Disconnect the two inverter cables as shown by #1.
- Remove the inverter as shown by #2.



Legend 15-5:

- Remove the eight screws as shown by #1.
- Remove the left/right LCD brackets as shown by #2.

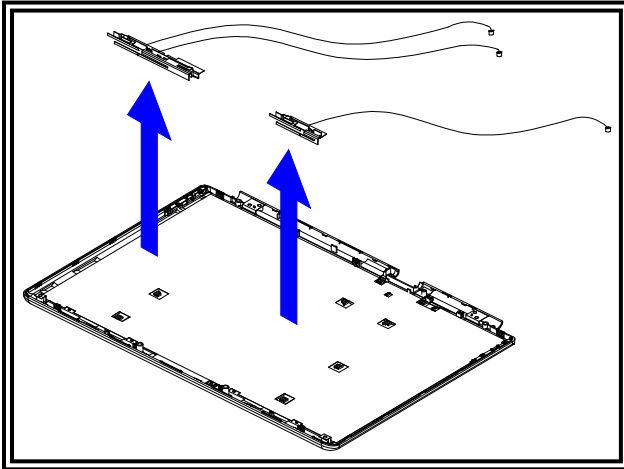


Legend 15-6:

- Remove the screw as shown by #1.
- Disconnect the web cam cable as shown by #2.
- Remove the web cam module as shown by #3.

Removing The LCD Display

Note: The web cam module is optional.



Legend 15-7:

- Remove the three antenna modules as shown.

To restore the system back to its assembled situation:

- Reverse the steps in **Legend 15-1** to **Legend 15-7**.
- Reverse the steps in **Legend 4-1** to **Legend 4-9**.