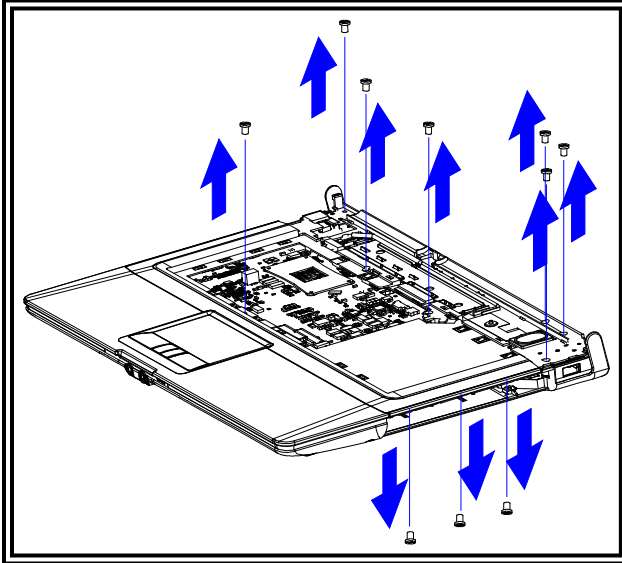


Removing The Uppercase

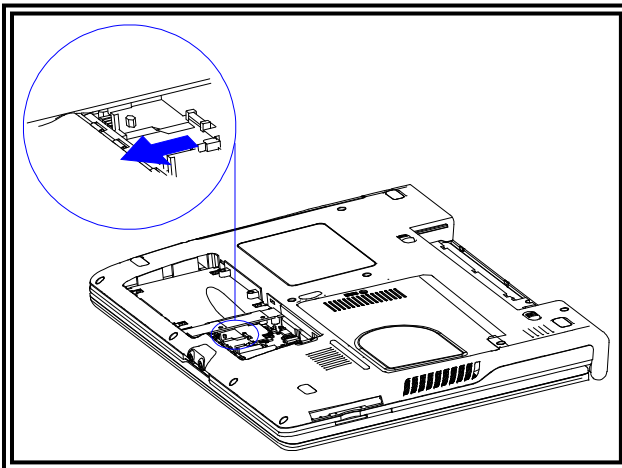


Follow the steps in:

- Legend 4-1 to Legend 4-9,
- Legend 8-1, before proceeding as below. Reverse the procedure to assemble the uppercase.

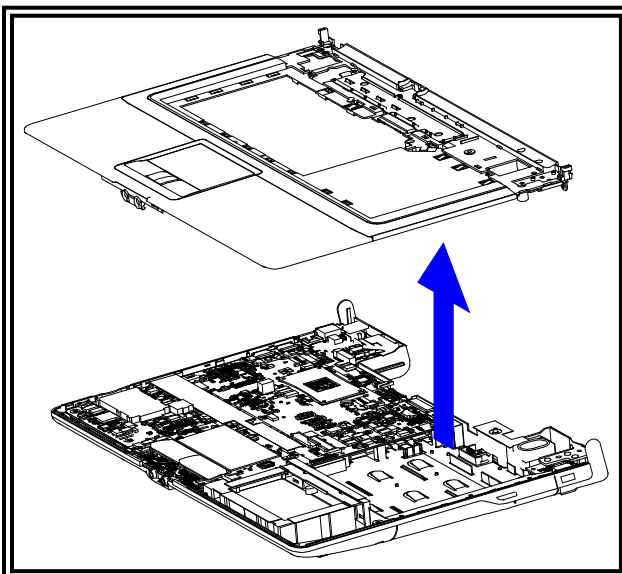
Legend 11-1:

- Remove the ten screws as shown.



Legend 11-2:

- Flip the system upside down as shown.
- Disconnect the touch pad cable as shown.



Legend 11-3:

- Flip the system topside up as shown.
- Remove the uppercase as shown.

To restore the system back to its assembled situation:

- Reverse the steps in **Legend 11-1** to **Legend 11-3**.
- Reverse the steps in **Legend 8-1**.
- Reverse the steps in **Legend 4-1** to **Legend 4-9**.